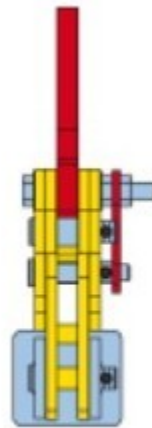
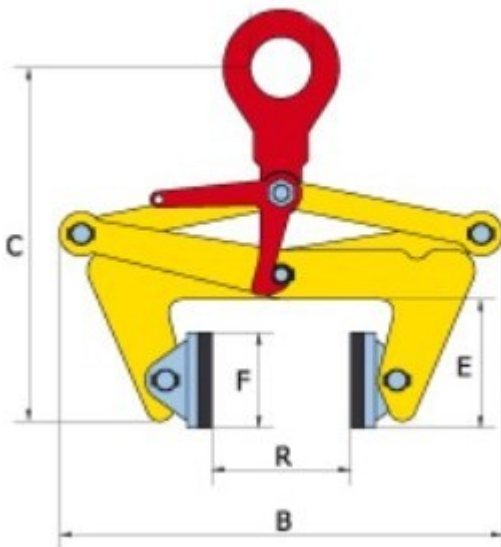


## CLESTI / CLEME DE RIDICARE SI MANEVRARE PE VERTICALA A PLACILOR DE OTEL, LEMN, PLASTIC, BETON, MARMURA ETC. MODEL TBLC – PRODUCTIE TERRIER



- For vertical lifting and transporting various materials as steel, wood, plastic, concrete, marble etc. which have parallel sides
- The clamp is locked in the open position. To perform lifting, the operator must activate the handle and hold it up while the force on the lifting eye is going upwards. When laying down the load, the clamp automatically unlocks itself to open.
- The pads are covered with special plastic to avoid damaging the material

Nr. ref.	Type	Capacity (kg/piece)	JAW-opening (R) (mm)	DIMENSIONS					Weight (kg/pc)
				B min-max	C min-max	D	E	F	
801500	0,5 TBLC	500	30-110	275-325	270-420	45	100	70*80	7
801000	1 TBLC	1000	100-230	440-530	360-610	45	140	100*120	12
801200	2 TBLC	2000	220-360	600-675	400-680	45	170	100*120	18
801300	3 TBLC	3000	350-500	740-840	490-840	65	200	100*120	32

### TOTAL RACE GROUP S.R.L.